



ITIS B.V.
 Daniëlsweg 6
 NL-4451 HP Heinkenszand
 T + 31 113 568515
 info@itis-nl.com
 www.itis-nl.com

ITIS Certificate
 201500169-C005 rev2



Industrie Service

API607 AND ISO 10497 FIRE TEST QUALIFICATION CERTIFICATE

This certificate is to certify that the valve below has been tested in accordance with, and meets all requirements stated in API Standard 607, sixth edition September 2010; Fire test for quarter turn valves and valves with non metallic seats, and ISO 10497 third edition 2010-02-15 Testing of valves - Fire- type testing requirements

Test valve details

Manufacturer : Zuercher Technik AG
 Address : Neumattstrasse 6, ch – 4450, Sissach, Switzerland
 Nominal size : DN50 – 2”
 Pressure rating : PN40
 Flow direction : Bi- directional
 Type : Floating Ball valve, Series AF90D
 Weight : 10.4kg
 Drawing number : 1602231.03 date: 01-02-2016
 Body material : 1.0619/A216 WCB
 Body gasket : Graphite
 Stud bolt/Nut material : A2-70/A2-70
 Ball material : 1.4401/316
 Seat material : RPTFE
 Stem material : 1.4401/316
 Stem seal material : Graphite
 Identification No. : 00169005 (by ITIS)
 Markings on valve : Body material, heat no. and Serial number on valve body
 Gearbox : n.a.

Scope of other sizes, weight, pressures and materials qualified by this test.

Tested valve	7.3 Nominal Size	7.4 Pressure rating	7.1 d (e) Weight
NPS2 class 300 DN50	NPS2 and below, 2½, 3 and 4 DN50 and below, 65, 80 and 100	Class 300; 400 and 600 PN40, PN63, and PN100	AF90D and valves with a mass >75%

For material qualification see paragraph 7.2 in report mentioned below.

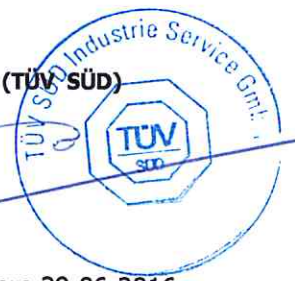
This certificate is only valid in conjunction with the full ITIS BV test report number 201500169-R005 rev2

Name operator (ITIS)

<input checked="" type="checkbox"/> TESTED
<input type="checkbox"/> REVIEW
<input type="checkbox"/> WITNESSED
Date/Signature
29-06-2016
Industrial Inspection Services

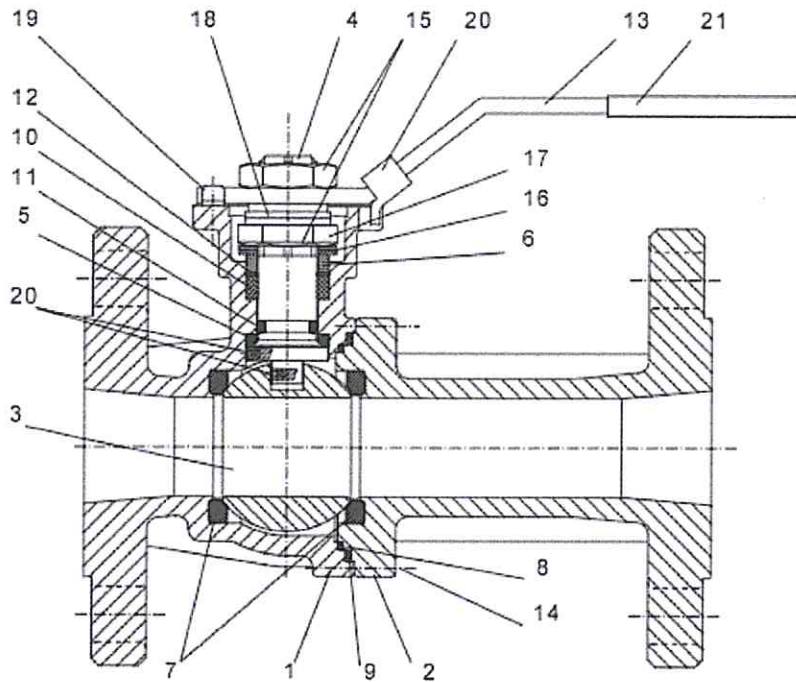
J. Meijer

Agree authority (TUV SUD)




I van Remoortere 29-06-2016

2 pieces DIN-Flange ball valve full bore. Type AF90D/ AF94D



No.	Description	Material for stainless steel valve		Material for carbon steel valve	
1	Body	1.4408 / CF8M		1.0619 / A216 WCB	
2	Flange	1.4408 / CF8M		1.0619 / A216 WCB	
3	Ball	1.4401 / 316		1.4401 / 316	
4	Stem	1.4401 / 316		1.4401 / 316	
5	Stem washer	PTFE		PTFE	
6	Stem seal follower	1.4401 / 316		1.4401 / 316	
7	Seat Ring	RPTFE / PTFE / CPTFE		RPTFE / PTFE / CPTFE	
8	Body seal wetted	PTFE		PTFE	
9	Body seal outside	Graphite		Graphite	
10	Stem packing	Graphite		Graphite	
11	O-Ring (optional)	NBR / FEP		NBR / FEP	
12	Stem Shim	PTFE		PTFE	
13	Handle	1.4301 / 304		1.4301 / 304	
14	Hex screw	A2-70		A2-70	
15	Stem Nut	1.4301 / 304		1.4301 / 304	
16	Belleville washer	1.4310 / 301		1.4310 / 301	
17	Safety cap	1.4301 / 304		1.4301 / 304	
18	Distancer ring	1.4301 / 304		1.4301 / 304	
19	Stop device	1.4301 / 304		1.4301 / 304	
20	Locking device	1.4301 / 304		1.4301 / 304	
21	Sleeve	PVC		PVC	
	Type of valve	AF90D	AF94D	AF90D	AF94D
	Face to Face acc. DIN EN 558	Series 1	Series 27	Series 1	Series 27
	Weight	10.7 kg	9.7 kg	10.4 kg	9.4 kg

	Drawn	R. Zingg	01.02.16
	Checked	RIZ	01.02.16
	Item fig	AF90D/ AF94D PN16/40	DN 50
	Drawing no.	1602231.03	



ITIS B.V.
 Daniëlsweg 6
 NL-4451 HP Heinkenszand
 T + 31 113 568515
 info@itis-nl.com
 www.itis-nl.com

ITIS Certificate
 201500169-C007 rev2



Industrie Service

API607 AND ISO 10497 FIRE TEST QUALIFICATION CERTIFICATE

This certificate is to certify that the valve below has been tested in accordance with, and meets all requirements stated in API Standard 607, sixth edition September 2010; Fire test for quarter turn valves and valves with non metallic seats, and ISO 10497 third edition 2010-02-15 Testing of valves - Fire- type testing requirements

Test valve details

Manufacturer : Zuercher Technik AG
 Address : Neumattstrasse 6, ch – 4450, Sissach, Switzerland
 Nominal size : DN65 – 2 ½”
 Pressure rating : PN16
 Flow direction : Bi- directional
 Type : Floating Ball valve – Series AF90D
 Weight : 15.1kg
 Drawing number : 1602232.02 date: 01-02-2016
 Body material : 1.0619/ A216 WCB
 Body gasket : Graphite
 Stud bolt/Nut material : A2-70 / A2-70
 Ball material : 1.4401/316
 Seat material : RPTFE
 Stem material : 1.4401/316
 Stem seal material : Graphite
 Identification No. : 00169007
 Markings on valve : Body material, heat no. and Serial number on valve body
 Gearbox : n.a.

Scope of other sizes, weight, pressures and materials qualified by this test.

Tested valve	7.3 Nominal Size	7.4 Pressure rating	7.1 d (e) Weight
NPS2 ½ class PN16 DN65	NPS2½; 3; 4 and 5 DN65; 80; 100 and 125	Class 150 PN16 and PN25	AF90D and valves with a mass >75%

For material qualification see paragraph 7.2 in report mentioned below.

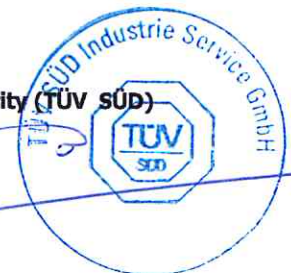
This certificate is only valid in conjunction with the full ITIS BV test report number 201500169-R007 rev2

Name operator (ITIS)

TESTED
 REVIEW
 WITNESSED
 Date/Signature
 29-06-2016
 Industrie Service & Inspection Services

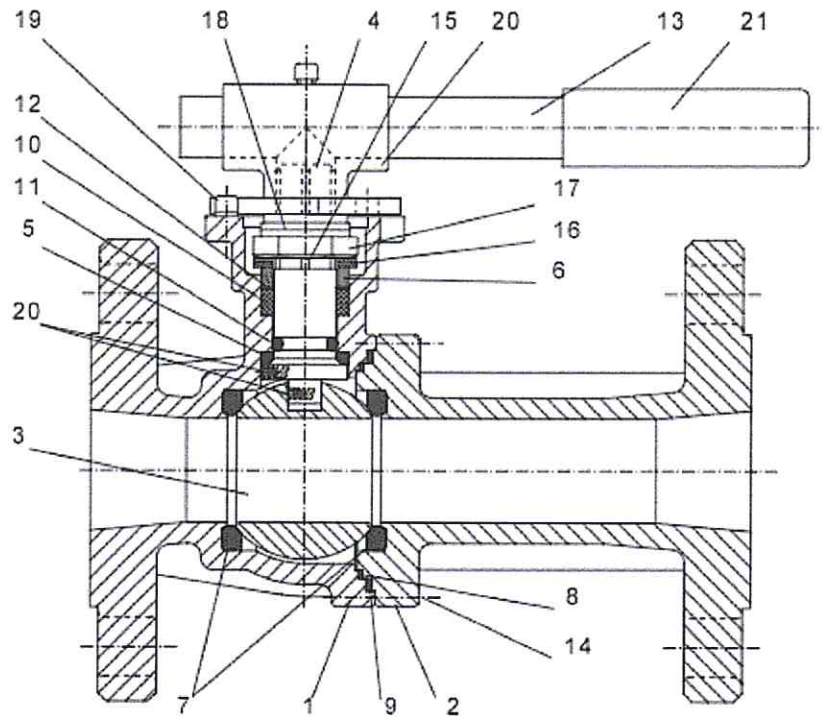
J. Meijer

Agree authority (TUV SUD)




I van Remoortere 29-06-2016

2 pieces DIN-Flange ball valve full bore. Type AF90D / AF94D



No.	Description	Material for stainless steel valve	Material for carbon steel valve		
1	Body	1.4408 / CF8M	1.0619 / A216 WCB		
2	Flange	1.4408 / CF8M	1.0619 / A216 WCB		
3	Ball	1.4401 / 316	1.4401 / 316		
4	Stem	1.4401 / 316	1.4401 / 316		
5	Stem washer	PTFE	PTFE		
6	Stem seal follower	1.4401 / 316	1.4401 / 316		
7	Seat Ring	RPTFE / PTFE / CPTFE	RPTFE / PTFE / CPTFE		
8	Body seal wetted	PTFE	PTFE		
9	Body seal outside	Graphite	Graphite		
10	Stem packing	Graphite	Graphite		
11	O-Ring (optional)	NBR / FEP	NBR / FEP		
12	Stem Shim	PTFE	PTFE		
13	Handle	1.4301 / 304	1.4301 / 304		
14	Hex screw	A2-70	A2-70		
15	Stem Nut	1.4301 / 304	1.4301 / 304		
16	Belleville washer	1.4310 / 301	1.4310 / 301		
17	Safety cap	1.4301 / 304	1.4301 / 304		
18	Distancer ring	1.4301 / 304	1.4301 / 304		
19	Stop device	1.4301 / 304	1.4301 / 304		
20	Adapter	1.4301 / 304	1.4301 / 304		
21	Sleeve	PVC	PVC		
	Type of valve	AF90D	AF94D	AF90D	AF94D
	Face to Face acc. DIN EN 558	Series 1	Series 27	Series 1	Series 27
	Weight	15.6 kg	14.2 kg	15.1 kg	13.9 kg

	Drawn	R. Zingg	01.02.16
	Checked	RIZ	01.02.16
	Item fig	AF90D AF94D PN16	DN 65
	Drawing no.	1602232.02	