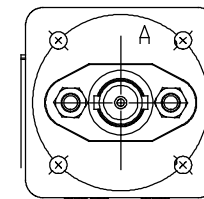
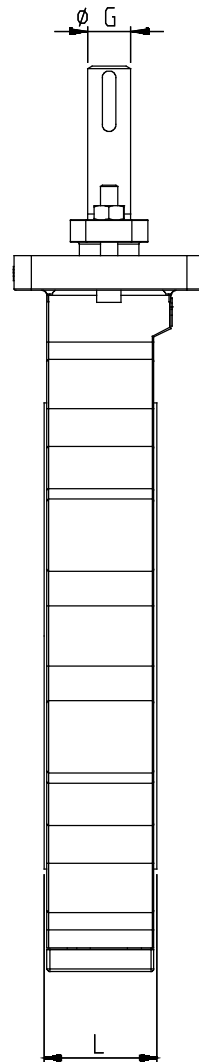
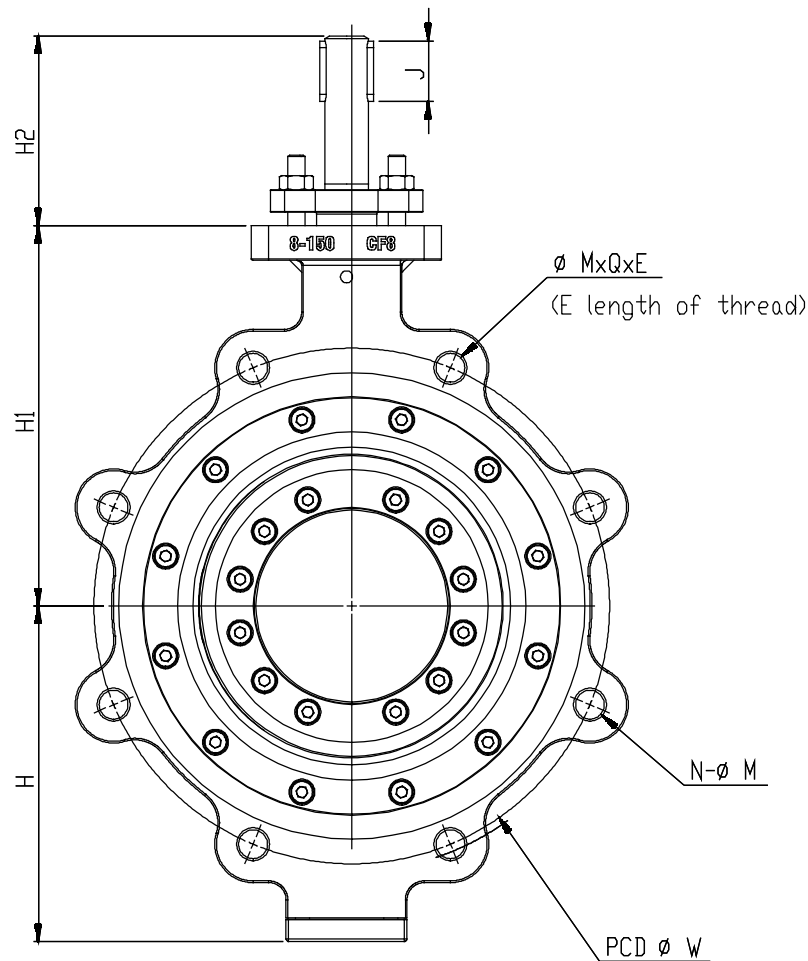
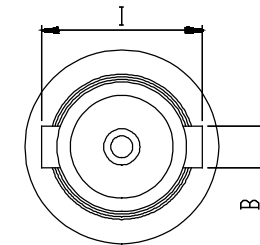


ASME Class 150 LUG Type Triple-Offset Metal-Seat Butterfly Valve



MOUNTING PAD
ISO 5211



DETAIL- A
SCALE 1 : 1

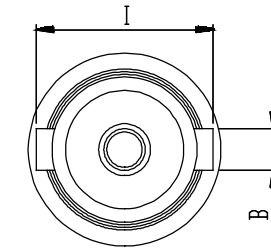
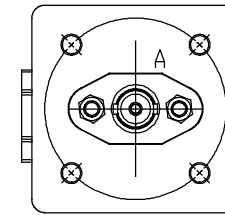
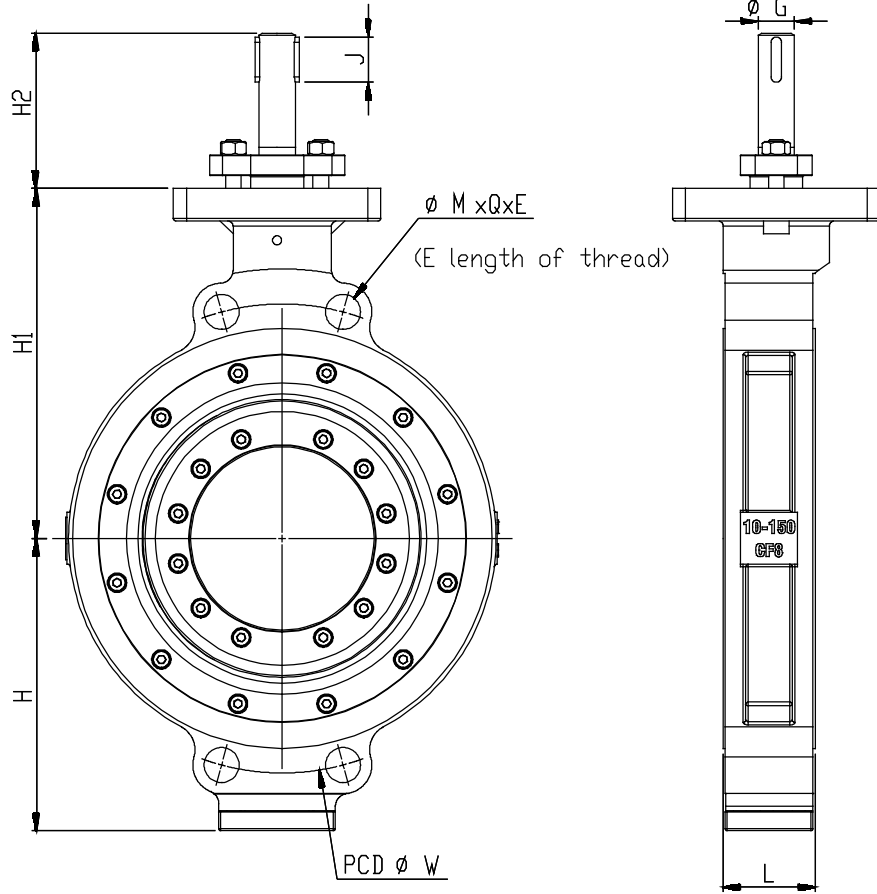
SIZE	W	M	Q	E	N	L	H
80	3"	152.4	5/8"-11 UNC	-	-	4	48
100	4"	190.5	5/8"-11 UNC	-	-	8	54
150	6"	241.3	3/4"-10 UNC	-	-	8	57
200	8"	298.5	3/4"-10 UNC	-	-	8	64
250	10"	362	7/8"-9 UNC	-	-	12	71
300	12"	431.8	7/8"-9 UNC	-	-	12	81
350	14"	476.3	1"-8 UNC	-	-	12	92
400	16"	539.8	1"-8 UNC	4	17	16	102
450	18"	577.9	1-1/8"-8 UN	4	19	16	114
500	20"	635	1-1/8"-8 UN	4	19	20	127
600	24"	749.3	1-1/4"-8 UN	4	21	20	154

SIZE	H1	H2	G	BxIxJ	ISO 5211	Wt(kg)
80	3"	142	15	5x19x25	F10	10
100	4"	172	18	6x23x30	F10	15
150	6"	193	19	6x24x30	F10	21.4
200	8"	220	25	8x31x35	F10	34.5
250	10"	270	28	8x34x35	F14	56.2
300	12"	317	35	10x41x50	F16	95
350	14"	347	37	10x43x50	F16	120.7
400	16"	390	42	12x48x70	F16	183.8
450	18"	417	45	14x52x70	F16	216.9
500	20"	444	50	16x58x70	F16	302
600	24"	538	55	16x63x130	F25	466.1

Secret

REVISION	MARK	DATE	DESCRIPTION	DRAWN BY	CHECK	SCALE	EDITION	UNIT	Notes
						1:3		mm	1. Dimensional tolerance should be referred to the general tolerance, unless otherwise specified. 2. Sharp edges and burrs not permissible. 3. Please must follow the dimensions and tolerance to produce. 4. Casting dimensions.
				APPROVE	DATE	DRAWING NO.	MATERIAL SPEC. PARTS NO.		
							D4-008-2		

ASME Class 150 Wafer Type Triple-Offset Metal-Seat Butterfly Valve



SIZE	W	M	Q	E	L	H	
80	3"	152.4	-	4	-	48	111
100	4"	190.5	-	4	-	54	131
150	6"	241.3	-	4	-	57	159
200	8"	298.5	-	4	-	64	194
250	10"	362	-	4	-	71	226
300	12"	431.8	-	4	-	81	260
350	14"	476.3	-	4	-	92	291
400	16"	539.8	1"-8UNC	4	17	102	324
450	18"	577.9	1-1/8"-8UN	4	19	114	351
500	20"	635	1-1/8"-8UN	4	19	127	384
600	24"	749.3	1-1/4"-8UN	4	21	154	449

SIZE	H1	H2	G	BxIxJ	ISO 5211	Wt(kg)	
80	3"	142	100	15	5x19x25	F10	8.5
100	4"	172	106	18	6x23x30	F10	12
150	6"	193	106	19	6x24x30	F10	18.2
200	8"	220	110	25	8x31x35	F10	32.8
250	10"	270	120	28	8x34x35	F14	46
300	12"	317	146	35	10x41x50	F16	71.2
350	14"	347	146	37	10x43x50	F16	95.5
400	16"	390	195	42	12x48x70	F16	130.5
450	18"	417	195	45	14x52x70	F16	160.7
500	20"	444	195	50	16x58x70	F16	220.2
600	24"	538	280	55	16x63x130	F25	379.7

Secret

REVISION	DATE	DESCRIPTION	APPROVE	CHECK	SCALE	1:4	EDITION	UNIT	mm	Notes: 1. Dimensional tolerance should be referred to the general tolerance, unless otherwise specified. 2. Sharp edges and burrs not permissible. 3. Please must follow the dimensions and tolerance to produce. 4. Casting dimensions.	MATERIAL SPEC.	PARTS NO.
MARK	DATE	DESCRIPTION	APPROVE	DATE	DRAWING NO.						DOCUMENT NO.	D4-008-2



DRAWN BY

CHECK

SCALE

1:4

EDITION

UNIT

mm

APPROVE

DATE

DRAWING NO.

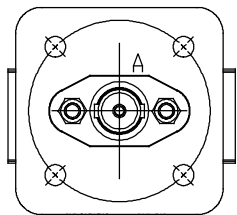
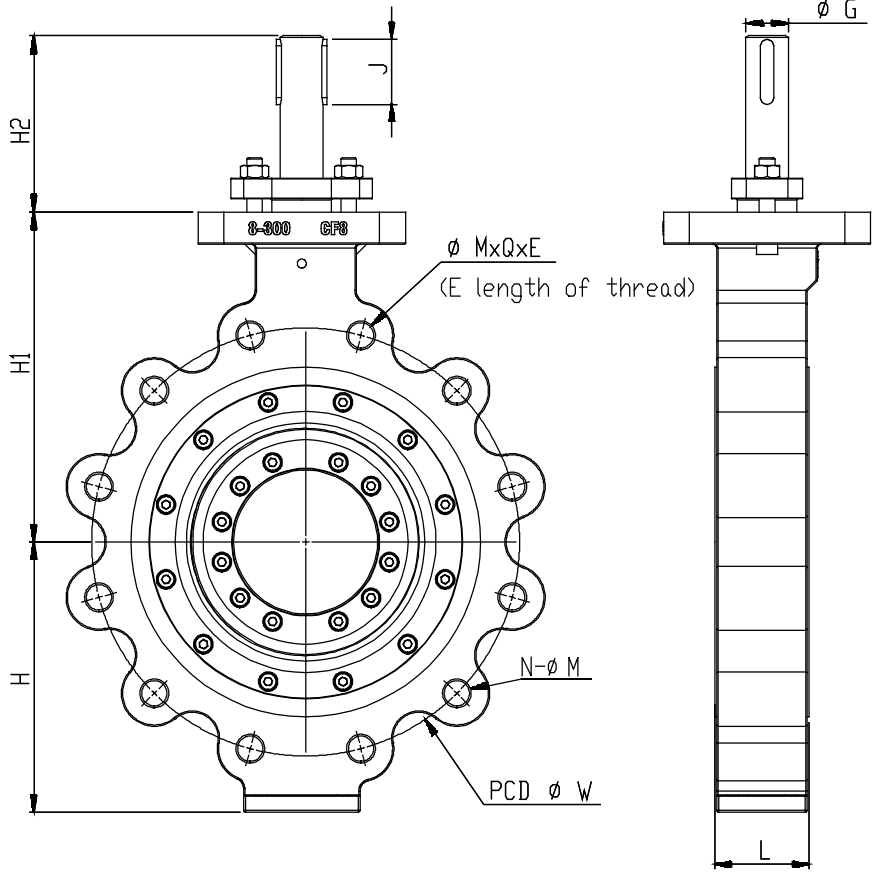
MATERIAL SPEC.

PARTS NO.

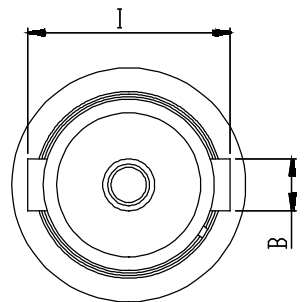
DOCUMENT NO.

D4-008-2

ASME Class 300 LUG Type Triple-Offset Metal-Seat Butterfly Valve



MOUNTING PAD
ISO 5211



DETAIL - A
SCALE 1 : 1

SIZE	W	M	Q	E	N	L	H
80	3"	168.2	3/4"-10UNC	-	8	48	121
100	4"	200.2	3/4"-10UNC	-	8	54	141
150	6"	269.8	3/4"-10UNC	-	12	59	184
200	8"	330.2	7/8"-9UNC	-	12	73	209
250	10"	387.4	1"-8UNC	4	17	83	244
300	12"	450.9	1-1/8"-8UN	4	19	92	277
350	14"	514.4	1-1/8"-8UN	4	19	117	317
400	16"	571.5	1-1/4"-8UN	4	21	133	358
450	18"	628.7	1-1/4"-8UN	4	21	149	389
500	20"	685.8	1-1/4"-8UN	4	21	159	432
600	24"	812.8	1-1/2"-8UN	4	26	181	494

SIZE	H1	H2	G	BxIxJ	ISO 5211	Wt(kg)
80	3"	152	15	5x19x25	F10	11.5
100	4"	182	18	6x23x30	F10	17.8
150	6"	210	25	8x31x35	F10	32.4
200	8"	255	33	10x39x50	F14	52
250	10"	292	35	10x41x50	F16	81
300	12"	328	45	14x52x70	F16	125
350	14"	373	50	16x58x70	F16	216.6
400	16"	419	55	16x63x130	F25	316.1
450	18"	446	65	20x74x130	F30	370.2
500	20"	490	65	20x74x130	F30	468
600	24"	591	75	22x85x150	F30	726

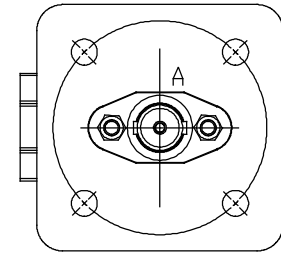
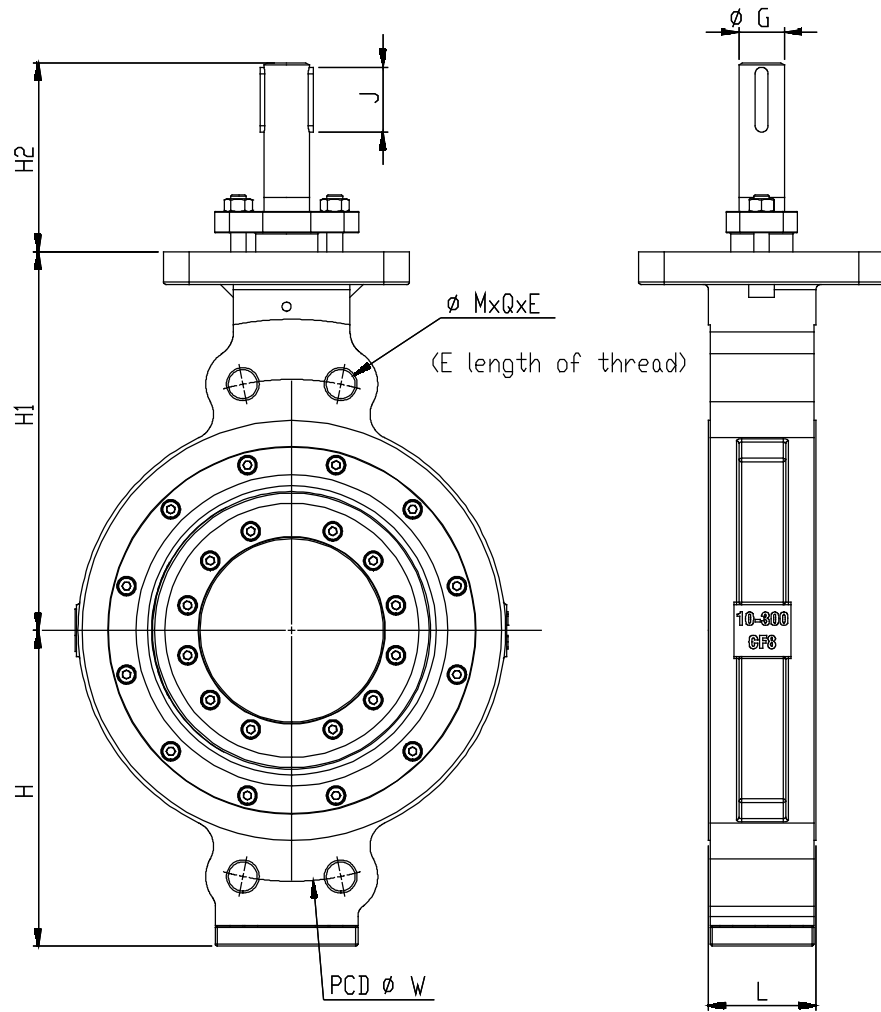
Secret

REVISION	MARK	DATE	DESCRIPTION	Applicable Products	DRAWN BY	CHECK	SCALE	1:4	EDITION	UNIT	mm	MATERIAL SPEC. DOCUMENT NO.	PARTS NO. D4-008-2
	APPROVE	DATE	DRAWING NO.										

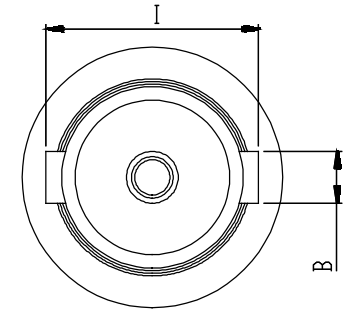


Notes:
 1. Dimensional tolerance should be referred to the general tolerance, unless otherwise specified.
 2. Sharp edges and burrs not permissible.
 3. Please must follow the dimensions and tolerance to produce.
 4. Casting dimensions.

ASME Class 300 Wafer Type Triple-Offset Metal-Seat Butterfly Valve



MOUNTING PAD
ISO 5211



DETAIL - A
SCALE 1 : 1

SIZE	W	M	Q	E	L	H	
80	3"	168.2	-	4	-	48	121
100	4"	200.2	-	4	-	54	141
150	6"	269.8	-	4	-	59	184
200	8"	330.2	-	4	-	73	209
250	10"	387.4	1"-8UNC	4	17	83	244
300	12"	450.9	1-1/8"-8UN	4	19	92	277
350	14"	514.4	1-1/8"-8UN	4	19	117	317
400	16"	571.5	1-1/4"-8UN	4	21	133	358
450	18"	628.7	1-1/4"-8UN	4	21	149	389
500	20"	685.8	1-1/4"-8UN	4	21	159	432
600	24"	812.8	1-1/2"-8UN	4	26	181	494

SIZE	H1	H2	G	BxIxJ	ISO 5211	Wt(kg)	
80	3"	152	100	15	5x19x25	F10	9
100	4"	182	106	18	6x23x30	F10	14
150	6"	210	110	25	8x31x35	F10	21
200	8"	255	136	33	10x39x50	F14	38.2
250	10"	292	146	35	10x41x50	F16	56.7
300	12"	328	195	45	14x52x70	F16	90.2
350	14"	373	195	50	16x58x70	F16	126.7
400	16"	419	280	55	16x63x130	F25	185
450	18"	446	280	65	20x74x130	F30	232.2
500	20"	490	280	65	20x74x130	F30	298
600	24"	591	300	75	22x85x150	F30	467

Secret

Notes:
 1) Dimensional tolerance should be referred to the general tolerance, unless otherwise specified.
 2) Sharp edges and burrs not permissible.
 3) Please must follow the dimensions and tolerance to produce.
 4) Casting dimensions.

MARK	DATE	DESCRIPTION	DRAWN BY	CHECK	SCALE	1:4	EDITION	UNIT	mm
				APPROVE	DATE	DRAWING NO.			
MATERIAL SPEC. DOCUMENT NO.		PARTS NO. D4-008-2							