







## System ball valve with double sealing system Type AF90D by Zuercher Technik

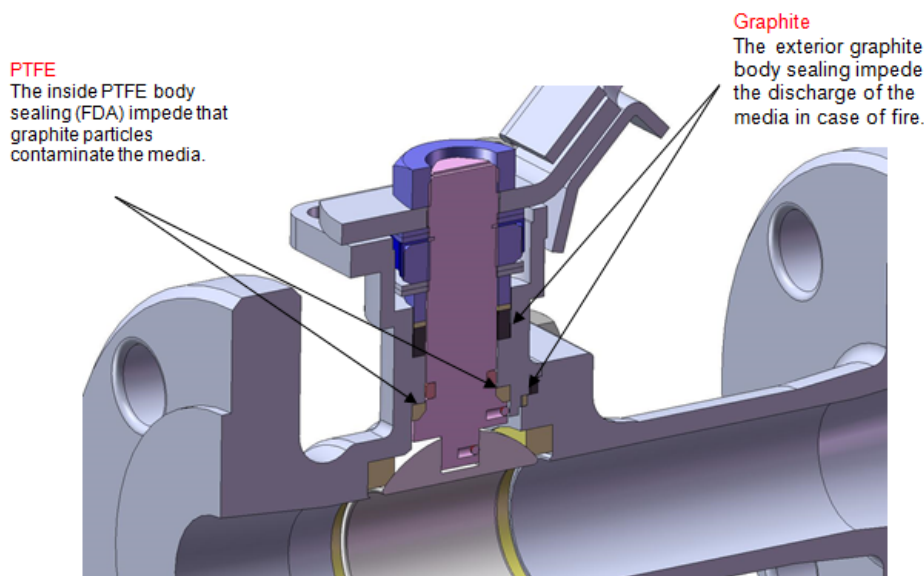
Nothing new, but established and proven equipment

			
Basis ball valve with handlever	Basis ball valve with stem extension	Basis ball valve with pneumatic actuator	Basis ball valve with pneumatic actuator and stem extension

The Zuercher Technik AF90D ball valve is both FDA and Fire Safe certified through the double sealing system. The two-piece flanged ball valve is intended to be installed between flanges according to DIN EN 1092-1. It is available in antistatic design, supplied with full bore as standard.

The AF90D has smooth sealing surfaces acc. to form B1 and covers seat tightness, leaking rate A, test P12 - EN 12266-1. The body double sealing system is fitted with a contained PTFE seal on the inside and a graphite seal on the outside. The top flange enables direct mounting of pneumatic and electrical actuators as standard without additional costs.

If the basic ball valve with hand lever has fitted with a handle in the plant, the AF90D system ball valve can be subsequently retrofitted with a stem extension, an actuator or a combination of both.



### **Product properties:**

- DIN- flanged ball valve in long and short face to face dimension (EN 558-1, Reihen 1 oder 27)
- Available in body material stainless steel (CF8M, 1.4408) or carbon steel (WCB A216)
- Sizes DN 15 – DN 100, full bore
- Pressure class PN 10/40, larger than DN 50 PN 16 (PN 40 on request)
- 2-piece, floating ball design, repairable construction
- Anti blow- out stem, anti- static, lockable hand lever
- automatable ball valve (direct mounting of an actuator)
- Certification: ATEX, FDA, CE/PED, GOST, FireSafe, SIL2, TA-Luft

### **Product properties:**

- DIN- flanged ball valve in long and short face to face dimension (EN 558-1, Reihen 1 oder 27)
- Available in body material stainless steel (CF8M, 1.4408) or carbon steel (WCB A216)
- Sizes DN 15 – DN 100, full bore
- Pressure class PN 10/40, larger than DN 50 PN 16 (PN 40 on request)
- 2-piece, floating ball design, repairable construction
- Anti blow- out stem, anti- static, lockable hand lever
- automatable ball valve (direct mounting of an actuator)
- Certification: ATEX, FDA, CE/PED, GOST, FireSafe, SIL2, TA-Luft

### **Special product features:**

- FDA- and FireSafe certified DIN- flanged ball valve through double sealing system
- Top flange for direct mounting acc. to DIN EN ISO 5211 as standard
- Modular assembly without additional costs (later assembly of actuator or stem extension)
- Automatic pressure relief system SRS as standard

### **Options:**

- Seats for less dead space
- Design with heating jacket



### **Zertifizierungen:**



---

**Are you interested? Are you interested in continuative documents?  
Please contact us by phone, e-mail or fax.**

**We are pleased to support you.**

**Zuercher Technik AG**

---

---

**Zuercher Technik AG**  
Neumattstrasse 6  
CH-4450 Sissach

Tel. +41 (0)61 975 10 10  
Fax +41 (0)61 975 10 50  
[www.zuercher.com](http://www.zuercher.com)  
[E-Mail](#)

---

[Unsubscribe from this new sletter list](#)